



Pergola system with retractable roof system of block-out PVC OPATEX fabric, resistant to UV and waterproof.  
 The structure consists of horizontal beams, perpendicular to the posts. No slope for water drainage is required.  
 The roof system drains the rainwater to the perimetric structure thanks to the curved system of cloth profiles. The gutter is integrated within the perimetric frame and the drain water to the ground is through the posts.  
 The perimetric frame is patented Anti-Splash, which means that the up and over side prevents the rainwater, which falls from the cloth to the gutter, from spurting inside the pergola. Aluminium profiles and aluminium die cast parts are powder coated. Screws are in stainless steel.  
 It can be operated RTS or IO Home-control motor. LED spots can be integrated in the cloth profiles or in the perimetric frame. LED Strip RGB can also be installed in the perimetric frame.

### ZENIT ISLAND (Basic Module)



**4 posts:**  
 Width up to cm 550 - Projection up to cm 710  
 Width up to cm 600 - Projection up to cm 650

**6 posts:**  
 Width up to cm 600 - Projection up to cm 750

### ZENIT FRONTAL LEANING VERSION (Basic Module) (horizontal profiles parallel to the wall)



**2 posts:**  
 Width up to cm 550 - Projection up to cm 710  
 Width up to cm 600 - Projection up to cm 650

**4 posts:**  
 Width up to cm 600 - Projection up to cm 750

### ZENIT LATERAL LEANING VERSION (Basic Module) (horizontal profiles perpendicular to the wall)



**2 posts:**  
 Projection up to cm 550 - Width up to cm 710  
 Projection up to cm 600 - Width up to cm 650

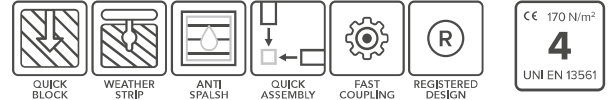
**3 posts:**  
 Projection up to cm 600 - Width up to cm 750

### ZENIT WALL (Basic Module)



**4 wall fixing:**  
 Width up to cm 550 - Projection up to cm 710  
 Width up to cm 600 - Projection up to cm 650

**6 wall fixing+:**  
 Width up to cm 600 - Projection up to cm 750



Selfbearing pergola with retractable roof system of block-out PVC OPATEX fabric, resistant to UV and waterproof. The structure allows the installation of ZIP Screens and glass walls.

**MOVEMENT SYSTEM**

Motorisation system with SOMFY IO-Homecontrol or RTS.

**STANDARD**

Posts 15x15 cm, height 240 cm with foot plate standard.

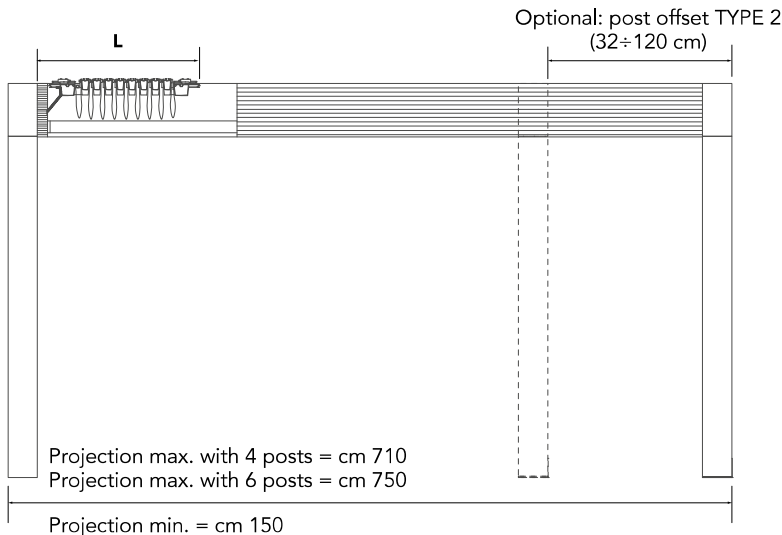
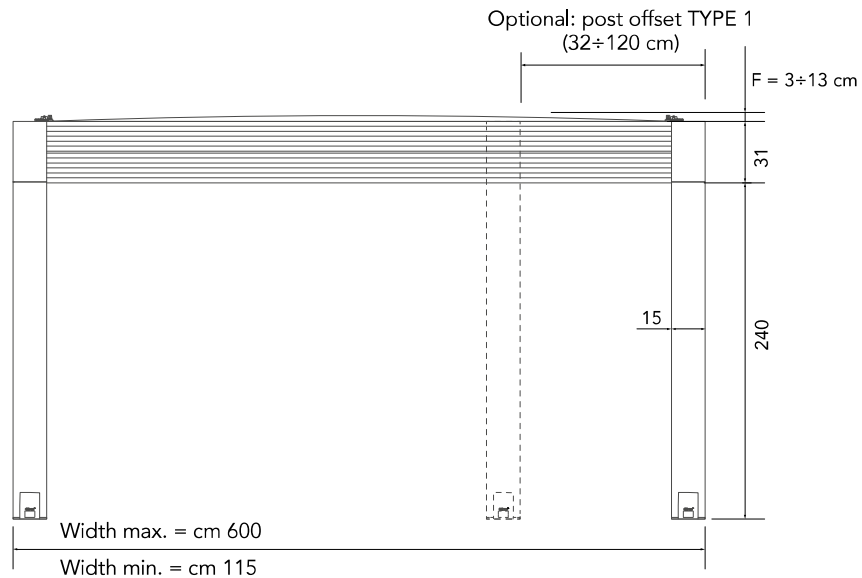
**COMPLEMENTS**

- Sensors and electric devices
- Illumination with led
- Electronic De-icing system
- Mistig System
- Audio system
- Radio interface for domotic system
- Heaters
- Arm awnings for Pergola



**MEASUREMENT AND DIMENSIONAL LIMITS**

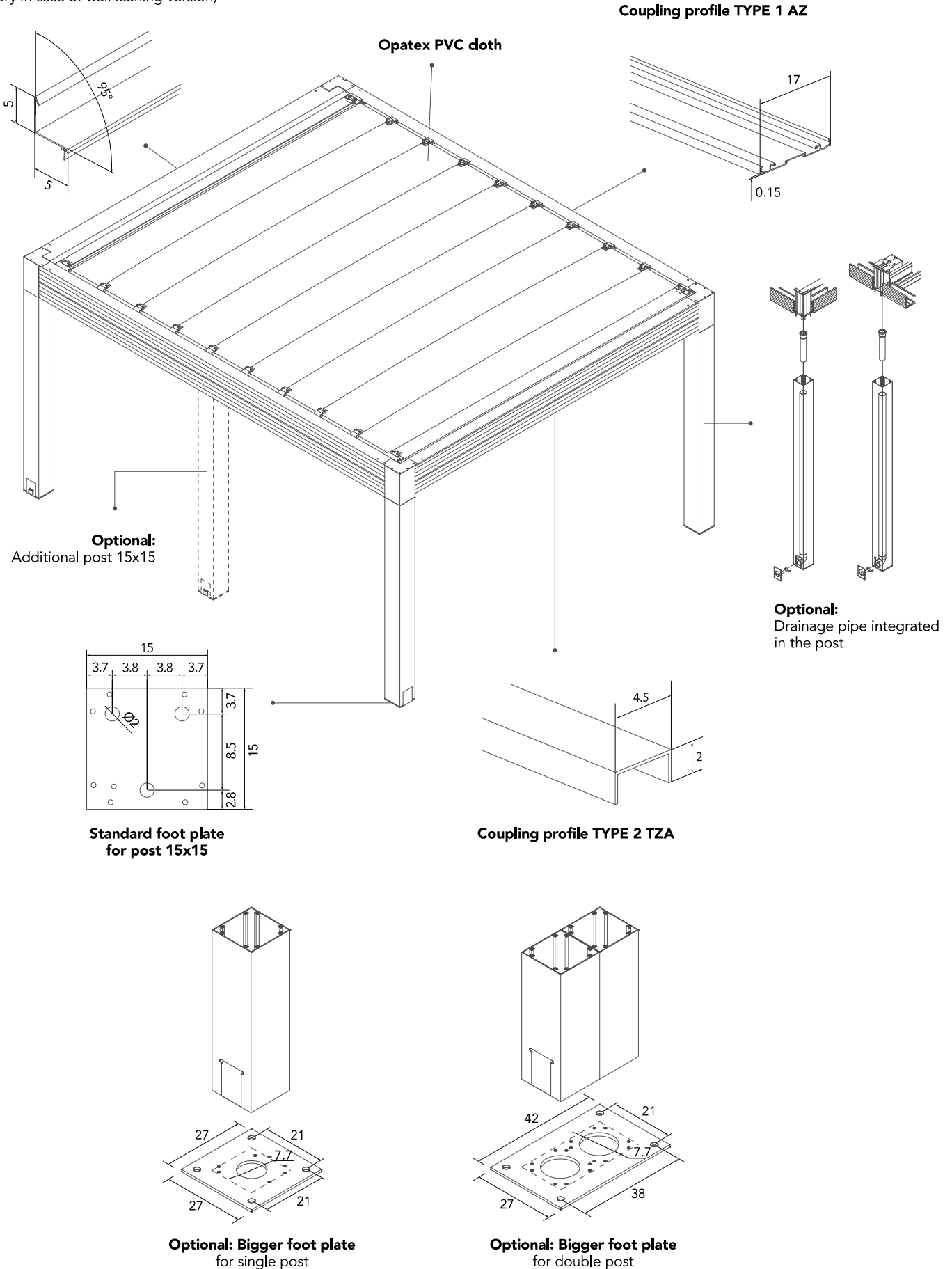
<b>W pergola</b>	200	250	300	350	400	450	500	550	600
<b>F (cm)</b>	3	4	5	6	7	8	9	10	13



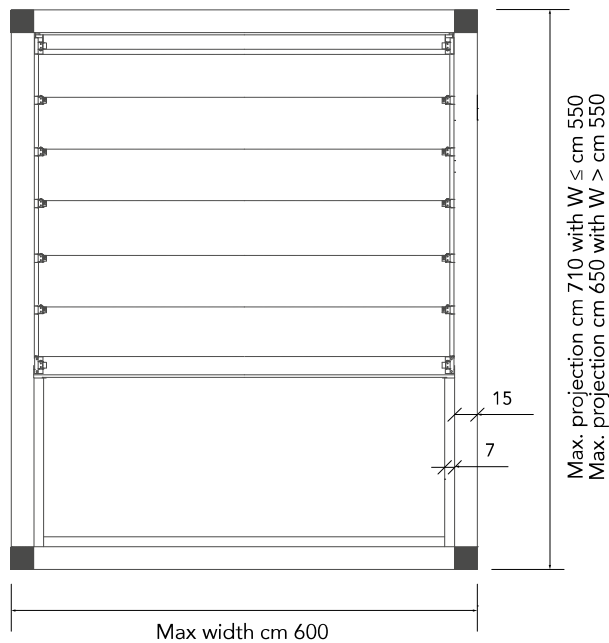
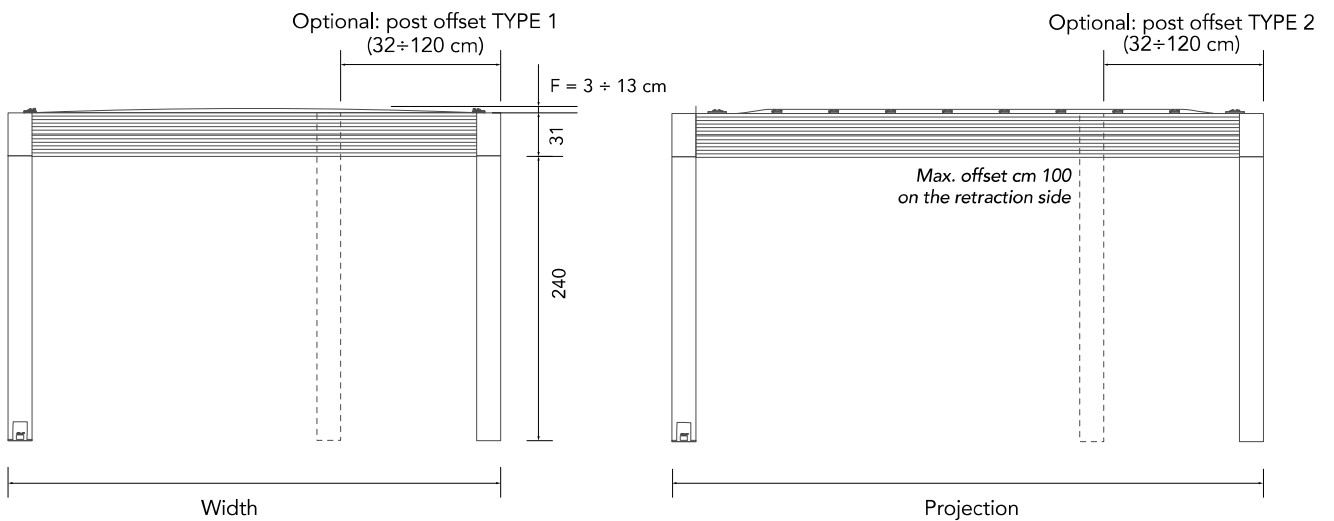
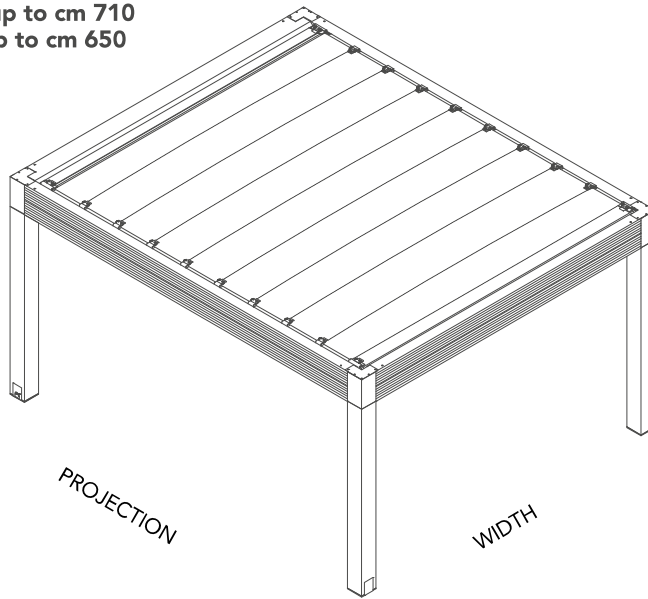
projection pergola	horizontal profile	horizontal profile wheelbase	L folding stack
< 250	1-4	40-50	42-64
251-300	4-5		64-71
301-350	5-6		71-78
351-400	6-7		78-85
401-450	7-8		85-93
451-500	8-9		93-100
501-550	9-11		100-115
551-600	10-12		107-122
601-650	12-13		122-129
651-700	13-14		129-137
701-750	14-15		137-144

STRUCTURE DETAILS

**Optional:** Wall flashing  
 (necessary in case of wall leaning version)



**ZENIT ISLAND 4 POSTS**  
 with width up to cm 550 projection up to cm 710  
 with width over cm 550 projection up to cm 650



**ZENIT ISLAND 6 POSTS**  
 with width up to cm 550 projection from cm 711 to 750  
 with width over cm 550 projection from cm 651 to 750

