



Gibus design interacts with nature to obtain maximum comfort and minimum energy waste. The bioclimatic cover solutions can regulate the microclimate of the environment underneath by creating natural ventilation.

VELVET PLUS integrates the Side Seal patent which characterizes the system of GIBUS louvres adjustable from 0 ° to 85 ° . Moreover the patent Inner Guides allows the complete integration of the perimeter ZIP screens. This solution allows to install glass walls for protection from the wind and fabric shading screens, which are essential to avoid the greenhouse effect during the warmer months.

Blades adjustment allows the setup of the cooling effect and the environment below, giving full control of the microclimate and one's own comfort. Even if it rains there is excellent protection because the blades have been designed to waterproof and allow the water flow only through the appropriate drainpipes integrated into the structure posts (Blade Seal).

Naturally beautiful, efficient and reliable system that Gibus has developed, filing patents for the innovative technological content. The bioclimatic pergola VELVET PLUS can be also installed with glass walls.

### VELVET PLUS ISLAND (Basic Module)



**4 posts:**  
 Width up to cm 450  
 Projection up to cm 607

### VELVET PLUS FRONTAL LEANING VERSION (Basic Module) (blades parallel to the wall)

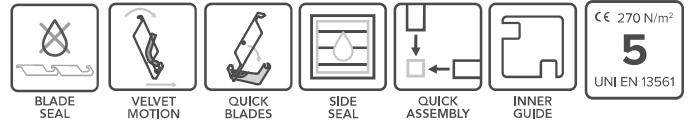


**2 posts:**  
 Width up to cm 450  
 Projection up to cm 607

### VELVET PLUS LATERAL LEANING VERSION (Basic Module) (blades perpendicular to the wall)



**2 posts:**  
 Projection up to cm 450  
 Width up to cm 607



Selfbearing bioclimatic pergola with adjustable and retractable blades roof.

The system integrated perfectly the ZIP lateral screens within the profiles. This solution also allows the installation of glass walls.

**MOTORISATION SYSTEM**

Motorisation system for adjustable blades consisting of 2 linear motors.

Motorisation system for retractable blades consisting of 2 geared motors. Control system with synchronized control unit.

**STANDARD**

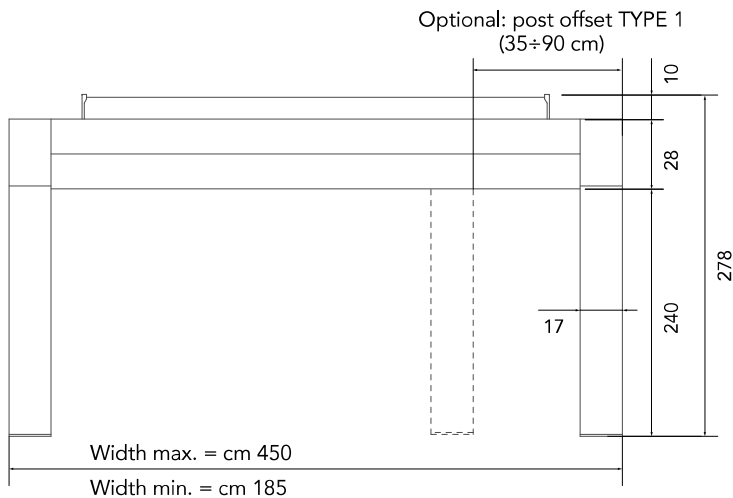
Posts 17x17 cm, height 240 cm with foot plate standard.

**COMPLEMENTS**

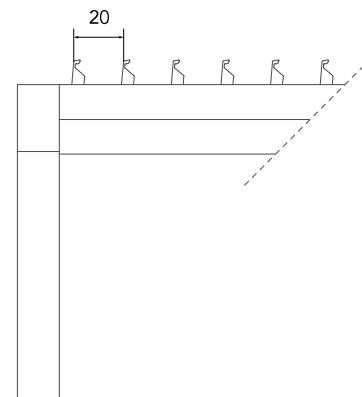
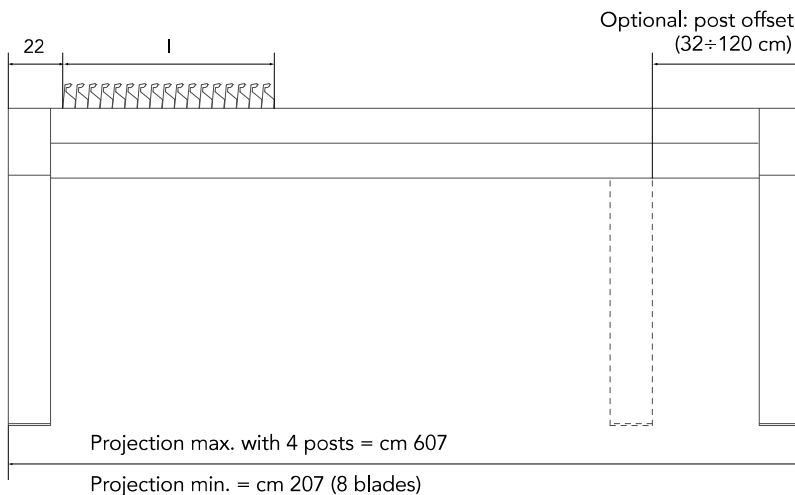
- Sensors and electric devices
- Illumination with led
- Electronic De-Icing System in the gutters (is strongly recommended)
- Blades Insulation
- Radio interface for domotic system
- Radio interface for smart devices
- External audio system
- Heaters



**MEASUREMENT AND DIMENSIONAL LIMITS**

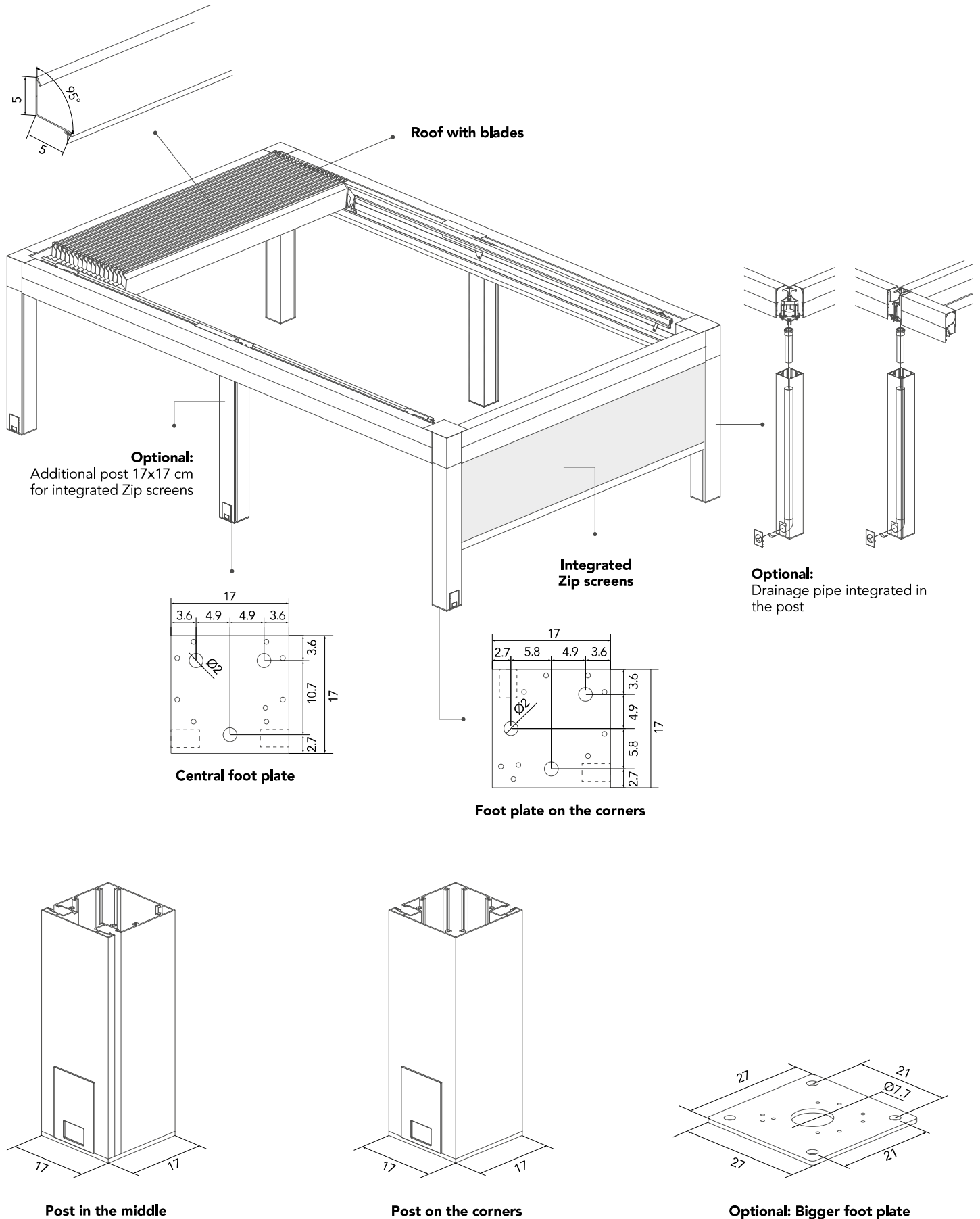


pergola projection	blades	I blades folding stack
207	8	40
227	9	45
247	10	50
267	11	55
287	12	60
307	13	65
327	14	70
347	15	75
367	16	80
387	17	85
407	18	90
427	19	95
447	20	100
467	21	105
487	22	110
507	23	115
527	24	120
547	25	125
567	26	130
587	27	135
607	28	140

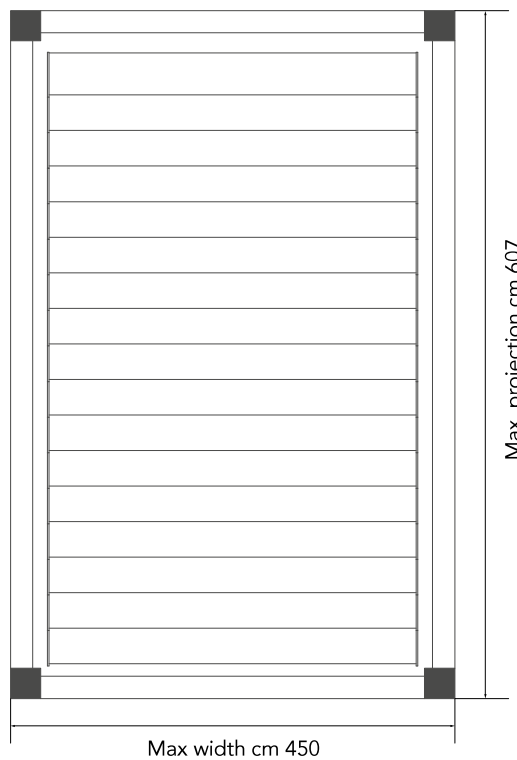
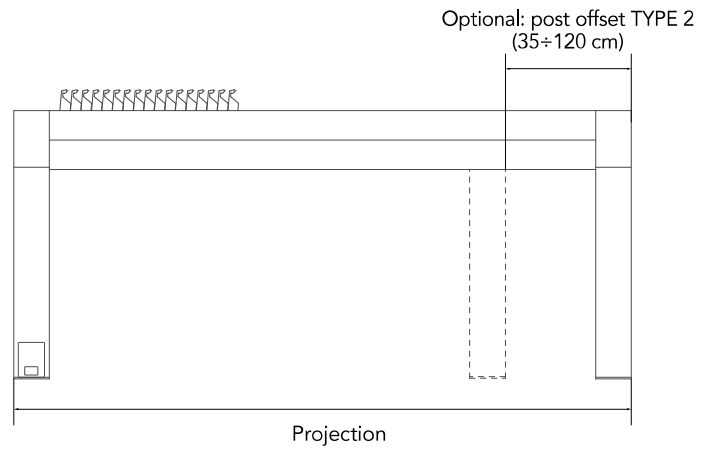
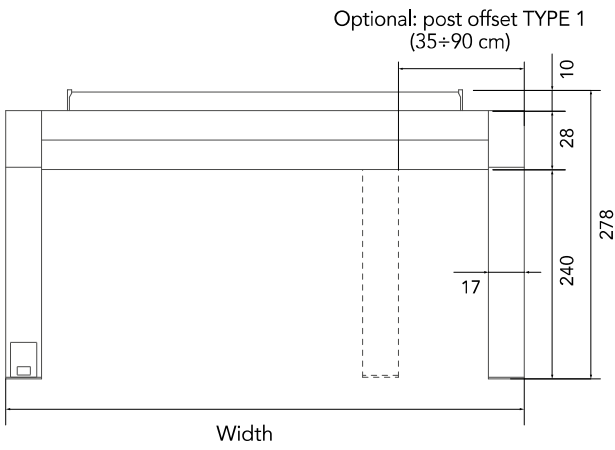
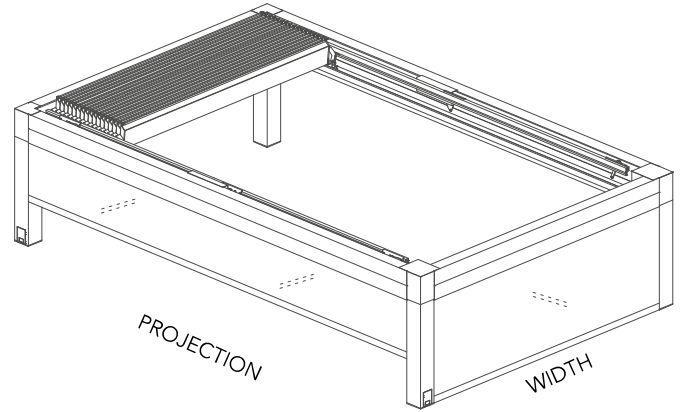
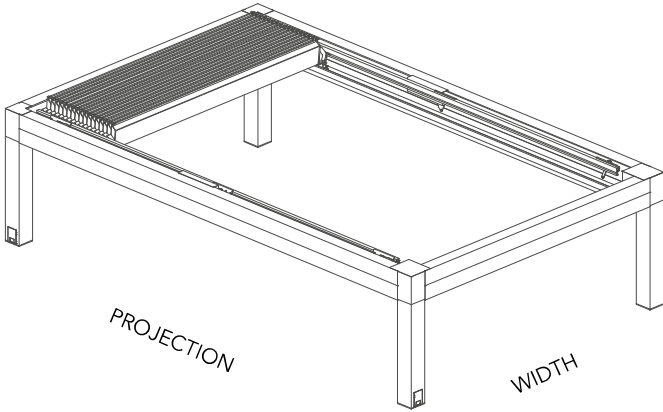


**STRUCTURE DETAILS**

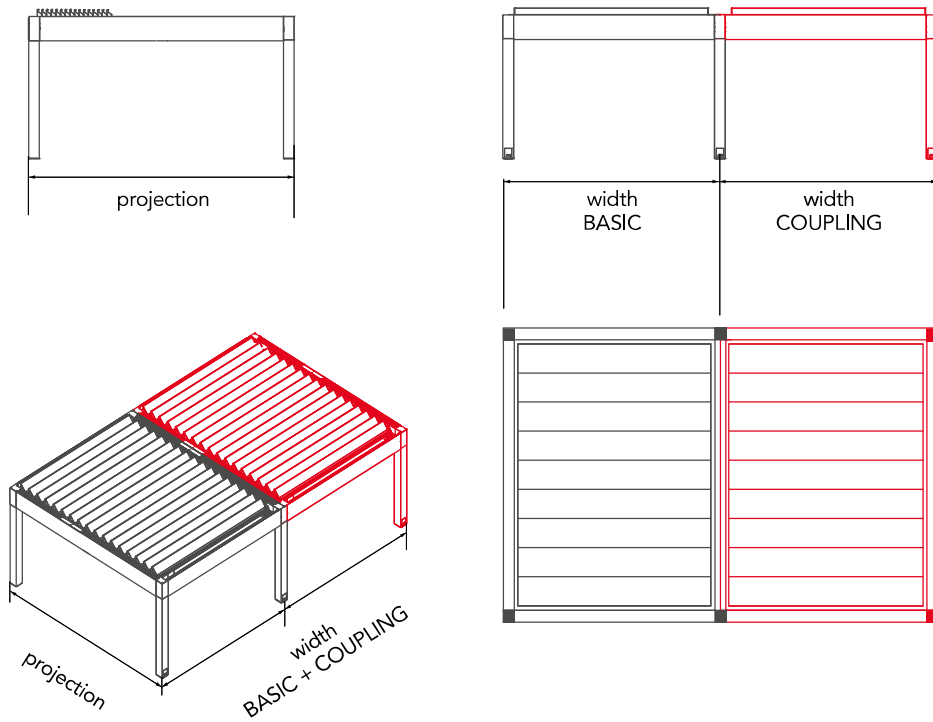
**Optional:** Wall flashing  
 necessary in case of wall leaning version



**VELVET PLUS ISLAND 4 POSTS**  
 projection from cm 207 to cm 607



**COUPLING TYPE 1**



**COUPLING TYPE 2**

