



Gibus design interacts with nature to obtain maximum comfort and minimum energy waste. The bioclimatic cover solutions can regulate the microclimate of the environment underneath by creating natural ventilation. The aluminum blades that make up the cover are moved by a motorized system and can rotate from the horizontal closed position, which guarantees an excellent seal in case of rain, to the open position, according to an angle that varies from 0 to 85 degrees. The exposure to sun of the external side of the blades generates heat, which induces a natural convective movement of air from down to up through the blades. pleasant, refreshing breeze provides a comfortable environment without any mechanical intervention. Naturally and without energy consumption. Adjusting the blades permits modulating the cooling effect and the sunlight that filters into the environment below, giving full control of the microclimate and one's own comfort. Even if it rains there is excellent protection because the blades have been designed to waterproof and permit the flow of water only through the appropriate gutters integrated into the structure columns (patented Blade Seal). naturally beautiful, efficient and reliable system that Gibus has developed, filing patents for the innovative technological content.

### VELVET ISLAND (Basic Module)



**4 posts:**  
 width up to cm 450  
 projection up to cm 603

### VELVET FRONTAL LEANING VERSION (Basic Module)

(blades parallel to the wall)



**2 posts:**  
 width up to cm 450  
 projection up to cm 603

### VELVET LATERAL LEANING VERSION (Basic Module)

(blades perpendicular to the wall)



**2 posts:**  
 projection up to cm 450  
 width up to cm 603



BLADE SEAL



VELVET MOTION



QUICK BLADES



SIDE SEAL



QUICK ASSEMBLY



UNI EN 13561

Selfbearing bioclimatic pergola with adjustable and retractable blades roof.  
 The structure allows the installation of ZIP Screens and glass walls.

**MOTORISATION SYSTEM**

Motorisation system for adjustable blades consisting of 2 linear motors.  
 Motorisation system for retractable blades consisting of 2 geared motors.  
 Control system with synchronized control unit.

**STANDARD**

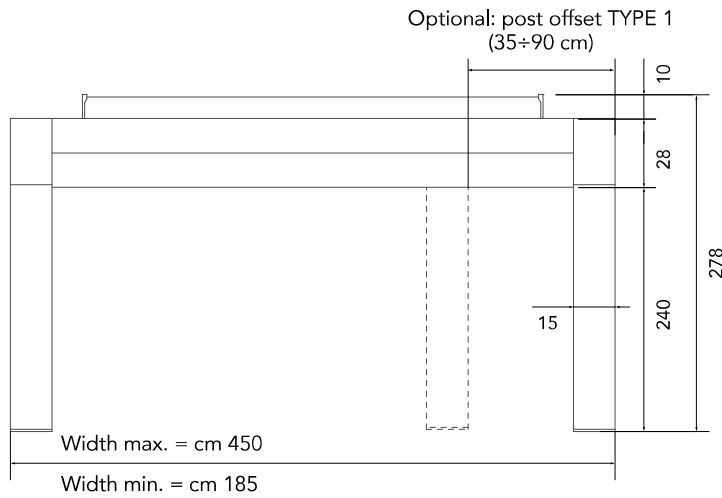
Posts 15x15 cm, height 240 cm with foot plate standard.

**COMPLEMENTS**

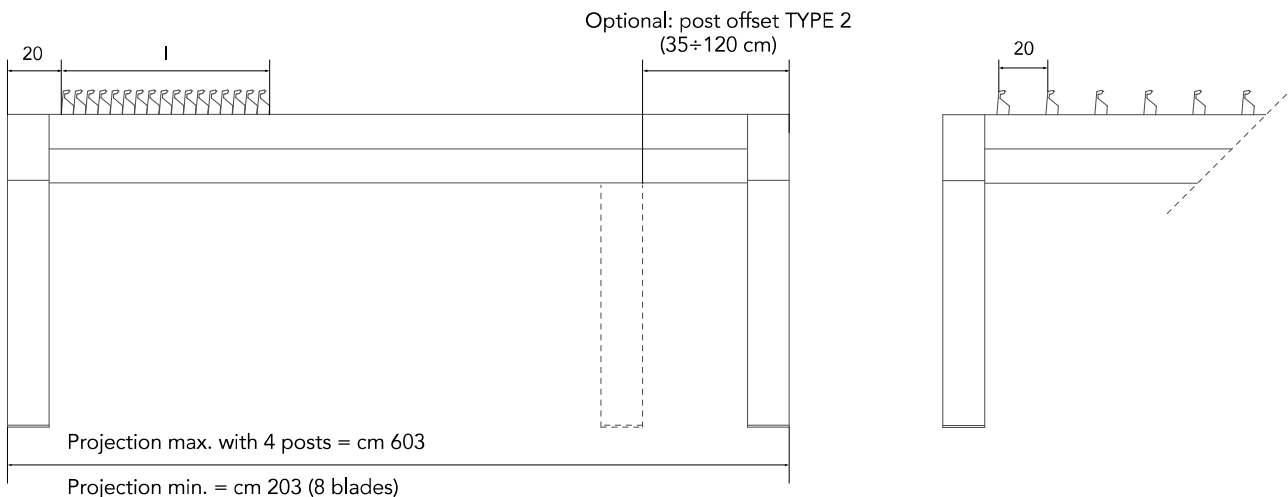
- Sensors and electric devices
- Illumination with led
- Electronic De-icing System in the gutters (is strongly recommended)
- Blades Insulation
- Radio interface for domotic system
- Radio interface for smart devices
- External audio system
- Heaters



**MEASUREMENT AND DIMENSIONAL LIMITS**

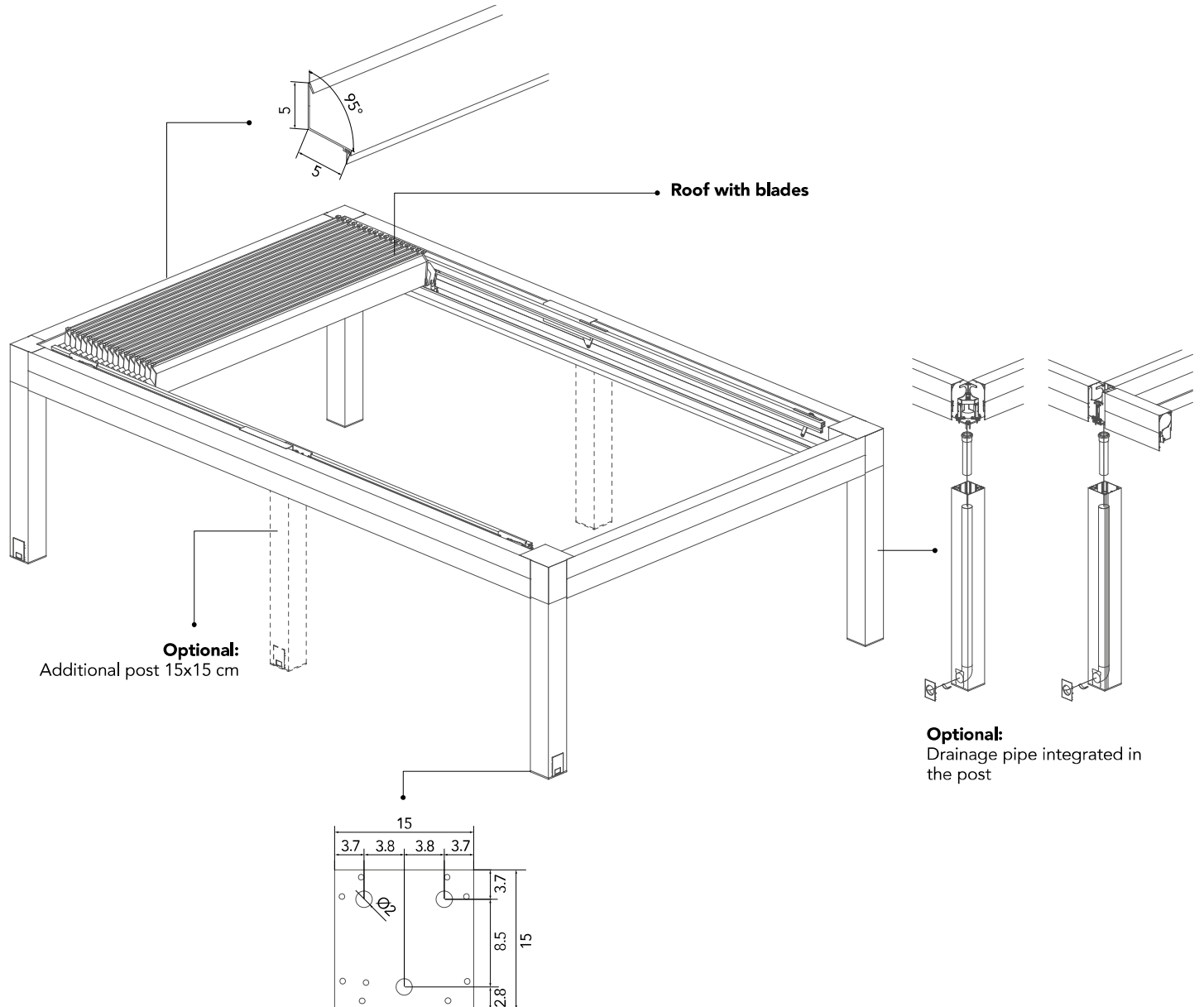


pergola projection	blades	l blades folding stack
203	8	40
223	9	45
243	10	50
263	11	55
283	12	60
303	13	65
323	14	70
343	15	75
363	16	80
383	17	85
403	18	90
423	19	95
443	20	100
463	21	105
483	22	110
503	23	115
523	24	120
543	25	125
563	26	130
583	27	135
603	28	140



STRUCTURE DETAILS

**Optional:** Wall flashing  
 (necessary in case of wall leaning version)

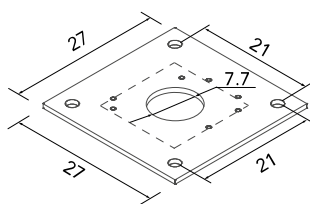
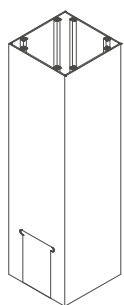


**Optional:**  
 Additional post 15x15 cm

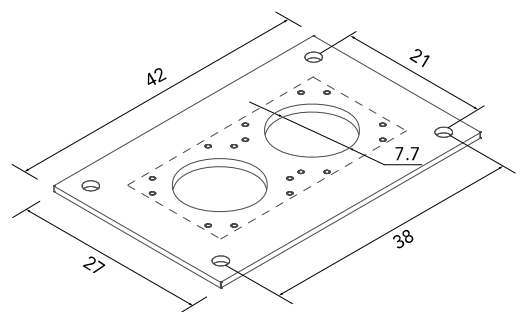
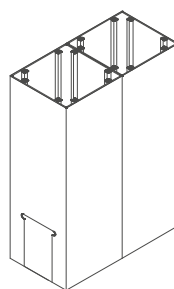
Roof with blades

**Optional:**  
 Drainage pipe integrated in the post

**Standard foot plate for post 15x15 cm**

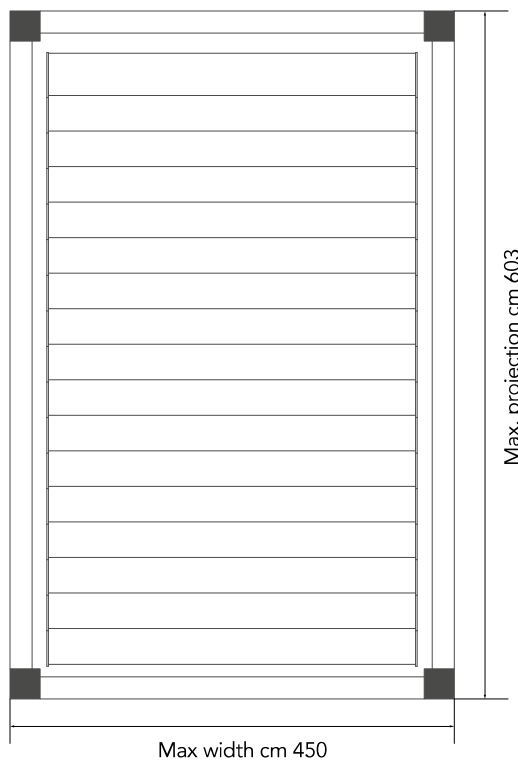
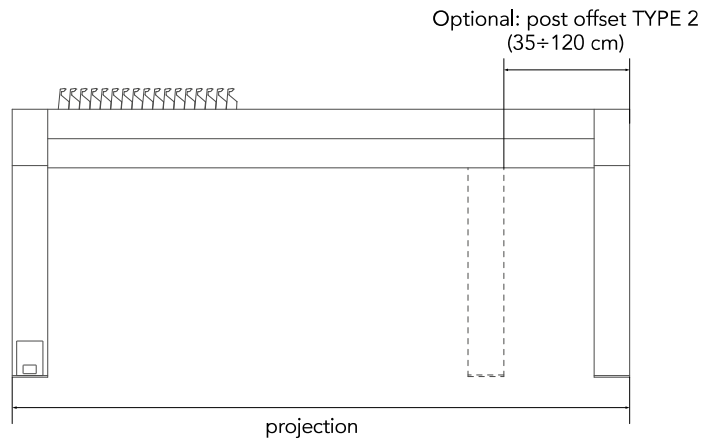
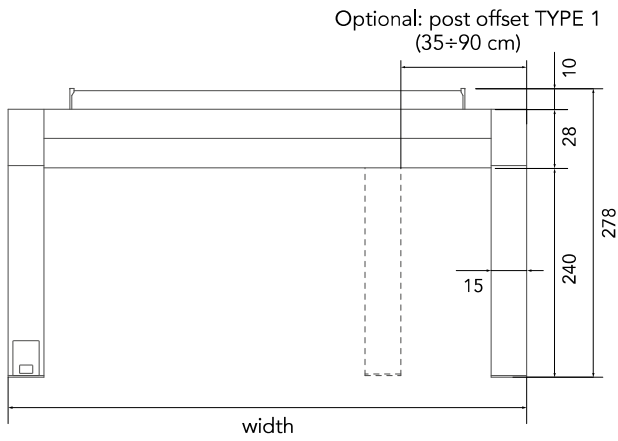
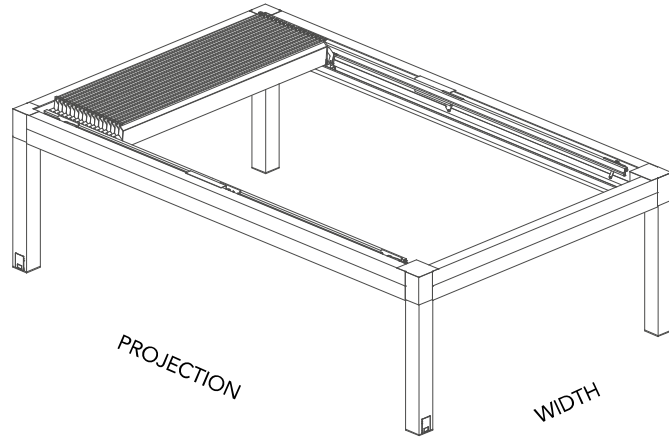


**Optional: Bigger foot plate for single post**

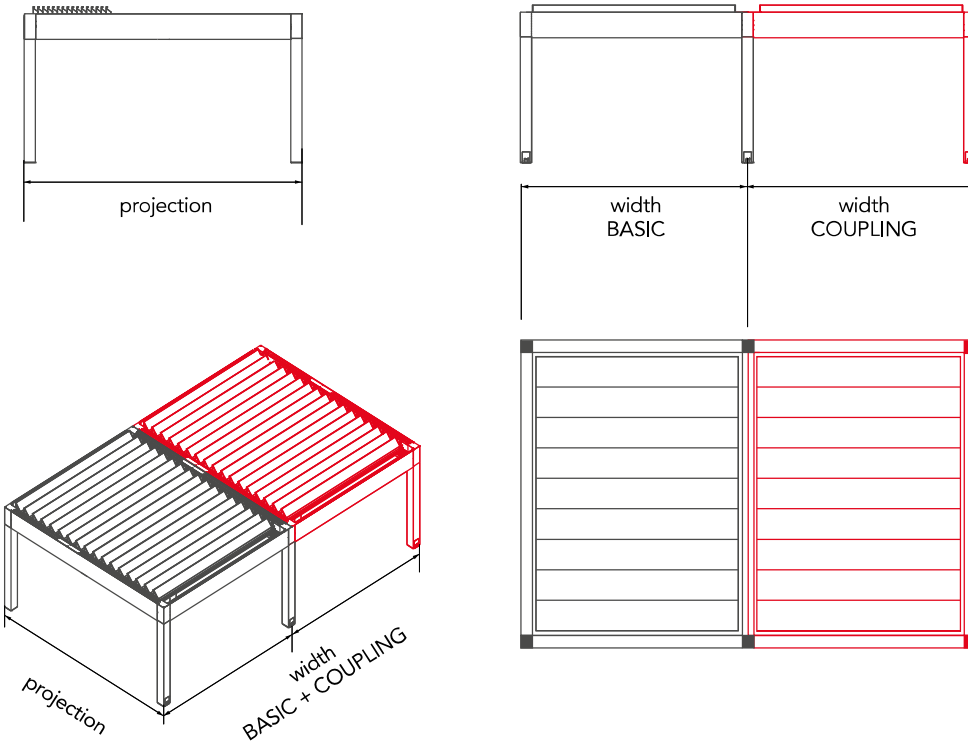


**Optional: Bigger foot plate for double post**

**VELVET ISLAND 4 POSTS**  
 projection from cm 203 to cm 603



**COUPLING TYPE 1**



**COUPLING TYPE 2**

