



Gibus design interacts with nature to obtain maximum comfort and minimum energy waste. The bioclimatic cover solutions can regulate the microclimate of the environment underneath by creating natural ventilation. The aluminum blades that make up the cover are moved by a motorized system and can rotate from the horizontal closed position, which guarantees an excellent seal in case of rain, to the open position, according to an angle that varies from 0 to 85 degrees. The exposure to sun of the external side of the blades generates heat, which induces a natural convective movement of air from down to up through the blades. pleasant, refreshing breeze provides a comfortable environment without any mechanical intervention. Naturally and without energy consumption. Adjusting the blades permits modulating the cooling effect and the sunlight that filters into the environment below, giving full control of the microclimate and one's own comfort. Even if it rains there is excellent protection because the blades have been designed to waterproof and permit the flow of water only through the appropriate gutters integrated into the structure columns. Naturally beautiful, efficient and reliable system that Gibus has developed, filing patents for the innovative technological content.

SWAY ISLAND (Basic Module)



4 posts:
 width up to cm 425
 projection up to cm 610

SWAY FRONTAL LEANING VERSION (Basic Module) (blades parallel to the wall)



2 posts:
 width up to cm 425
 projection up to cm 610

SWAY LATERAL LEANING VERSION (Basic Module) (blades perpendicular to the wall)

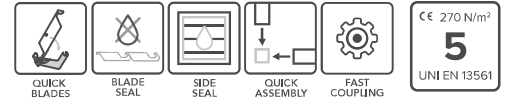


2 posts:
 projection up to cm 425
 width up to cm 610

SWAY WALL (Basic Module)



4 wall fixing:
 width up to cm 425
 projection up to cm 610



Selfbearing bioclimatic pergola with adjustable and retractable blades roof.
 The structure allows the installation of ZIP Screens and glass walls.

MOTORISATION SYSTEM

Motorisation system for blade orientation and packaging consisting of 1 tubular motor in 230V or 24V versions. In the 24V version there is a pilot and control system with control unit. The orientation and packaging movements are not independent.

STANDARD

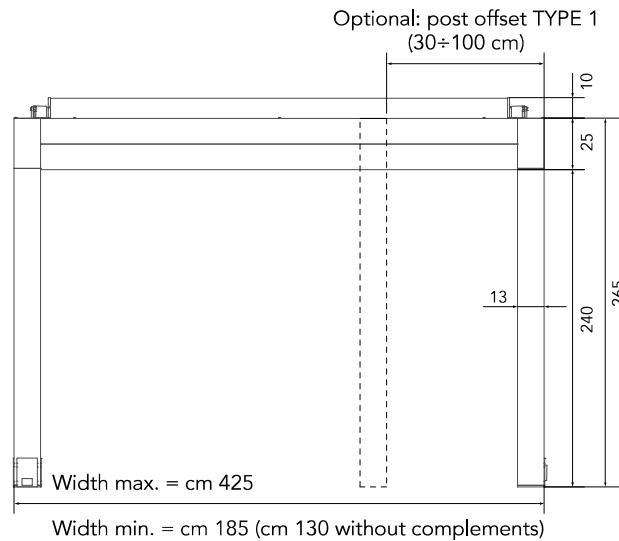
- Posts 13x13 cm, height 240 cm with foot plate standard
- 24V motor power supply unit with integrated temperature sensor and LED power supply (see section dedicated to control units and lighting).

COMPLEMENTS

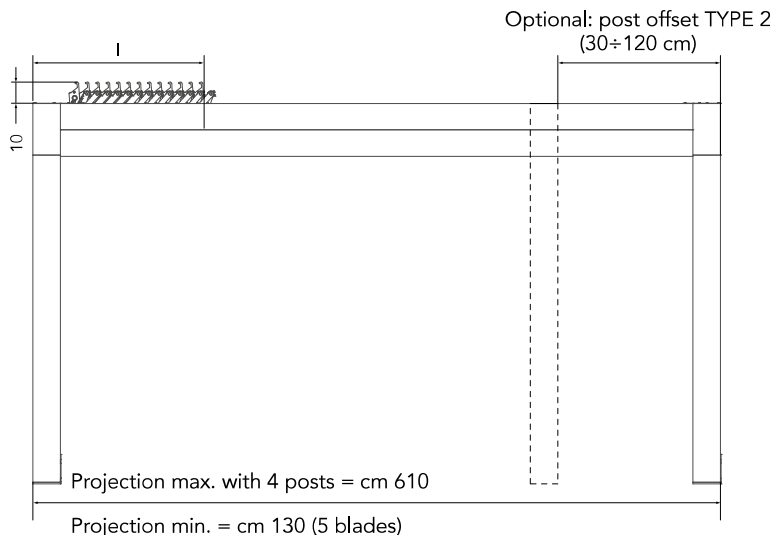
- Sensors and electric devices
- Blades insulation
- Lighting with led
- Interface for Smart Devices control
- Radio interface for Domotic System
- Misting System
- Electronic De-Icing System in the gutter
- External audio system
- Heaters



MEASUREMENT AND DIMENSIONAL LIMITS

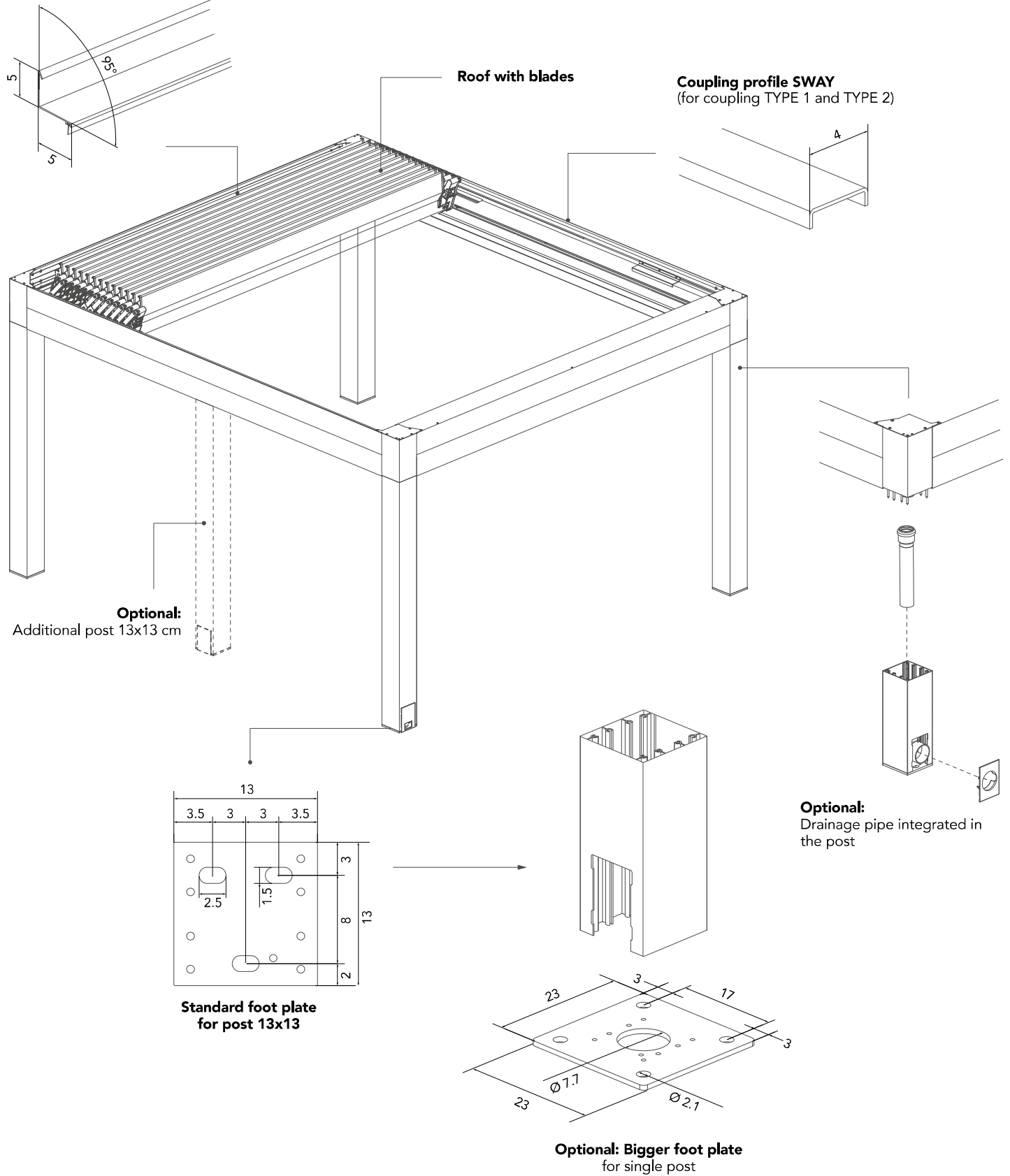


pergola projection	blades	l blades folding stack
210	9	62
230	10	66
250	11	71
270	12	76
290	13	81
310	14	86
330	15	91
350	16	96
370	17	101
390	18	106
410	19	111
430	20	115
450	21	120
470	22	125
490	23	130
510	24	135
530	25	140
550	26	145
570	27	150
590	28	155
610	29	160

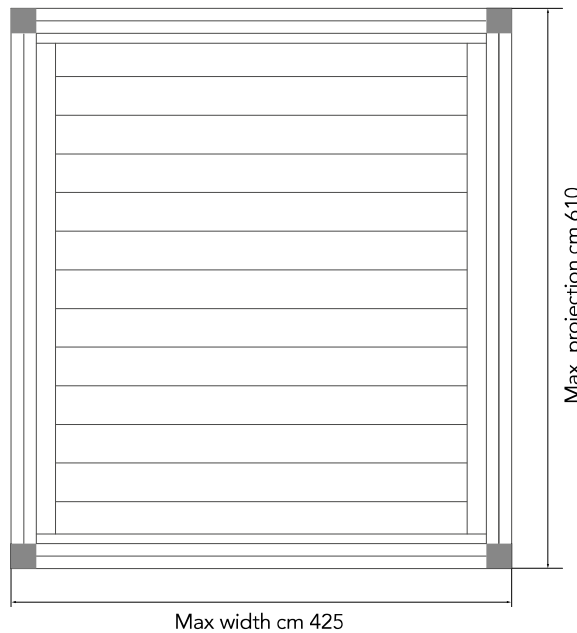
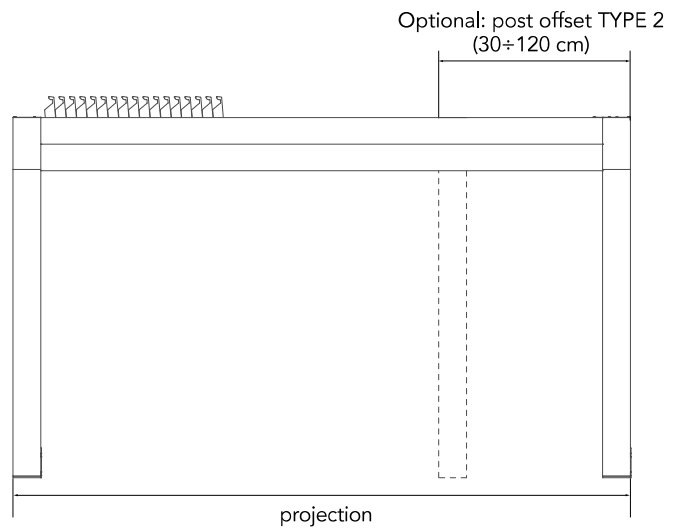
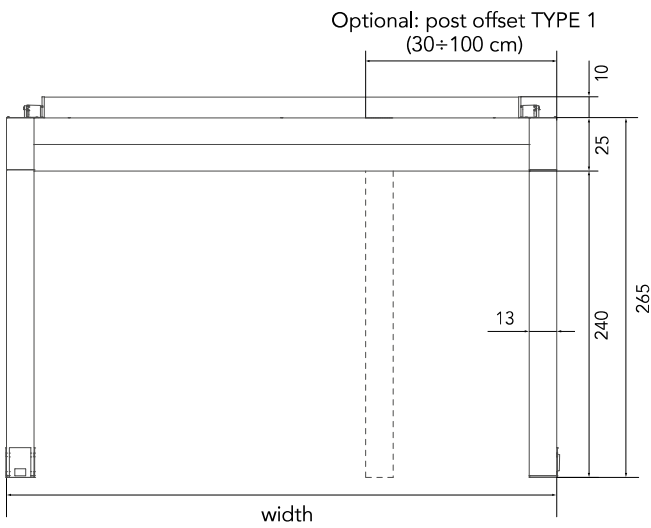
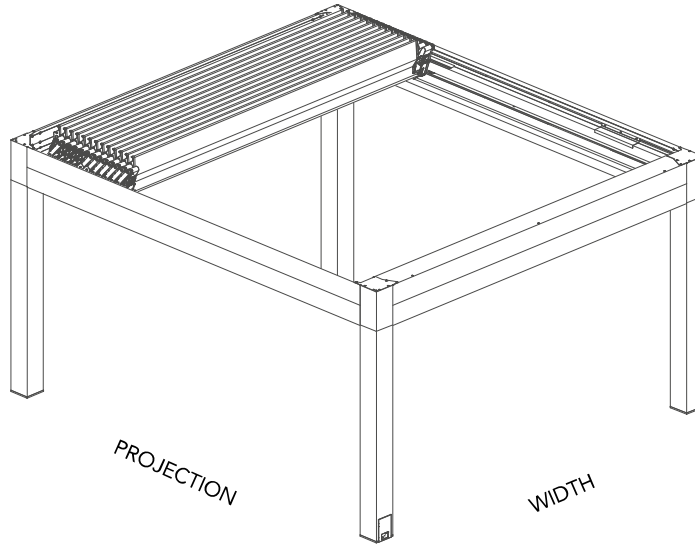


STRUCTURE DETAILS

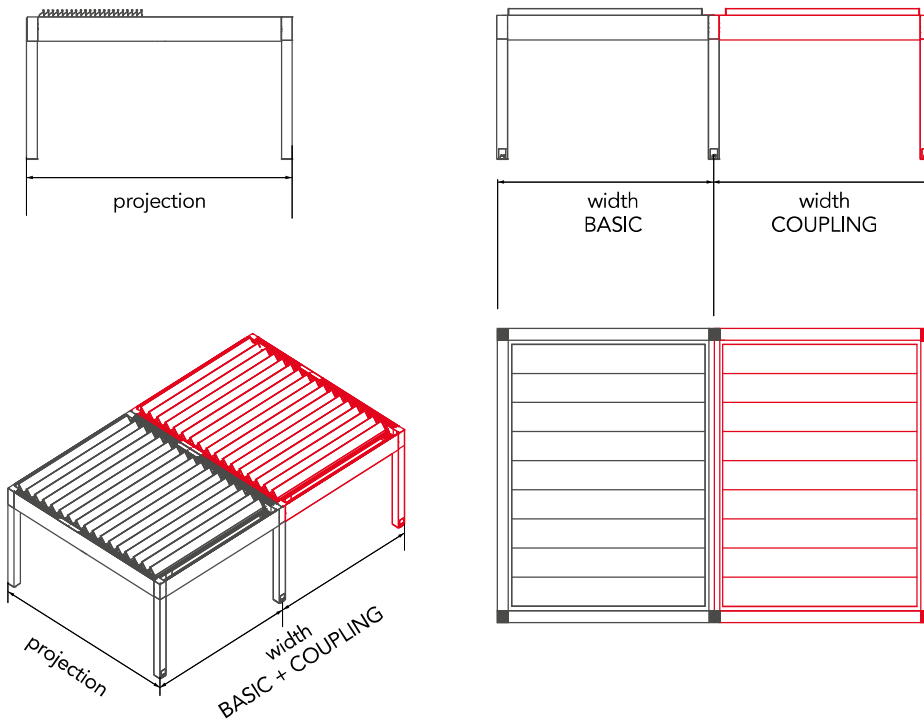
Optional: Wall flashing
 (necessary in case of wall leaning version)



SWAY ISLAND 4 POSTS
 projection from cm 210 to cm 610



COUPLING TYPE 1



COUPLING TYPE 2

