



Gibus design interacts with nature to obtain maximum comfort and minimum energy waste. The bioclimatic cover solutions can regulate the microclimate of the environment underneath by creating natural ventilation. The aluminum blades that make up the cover are moved by a motorized system and can rotate from the horizontal closed position, which guarantees an excellent seal in case of rain, to the open position, according to an angle that varies from 0 to 120 degrees (patented Twist Motion). The exposure to sun of the external side of the blades generates heat, which induces a natural convective movement of air from down to up through the blades. pleasant, refreshing breeze provides a comfortable environment without any mechanical intervention. Naturally and without energy consumption. Adjusting the blades permits modulating the cooling effect and the sunlight that filters into the environment below, giving full control of the microclimate and one's own comfort. Even if it rains there is excellent protection because the blades have been designed to waterproof and permit the flow of water only through the appropriate gutters integrated into the structure columns (patented Side Seal). naturally beautiful, efficient and reliable system that Gibus has developed, filing patents for the innovative technological content.

TWIST ISLAND (Basic Module)



4 posts:
 width up to cm 500
 projection up to cm 670

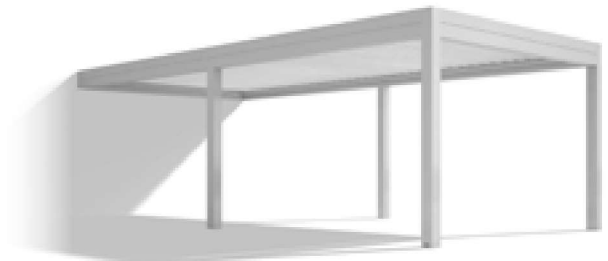


6 posts:
 width up to cm 500
 projection up to cm 750

TWIST FRONTAL LEANING VERSION (Basic Module)
 (blades parallel to the wall)



2 posts:
 width up to cm 500
 projection up to cm 670



4 posts:
 width up to cm 500
 projection up to cm 750

TWIST LATERAL LEANING VERSION (Basic Module)
 (blades perpendicular to the wall)



2 posts:
 projection up to cm 500
 width up to cm 670



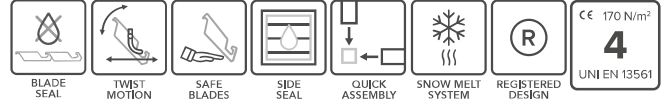
3 posts:
 projection up to cm 500
 width up to cm 750

TWIST WALL (Basic Module)



4 wall fixing:
 width up to cm 500
 projection up to cm 670

6 wall fixing:
 width up to cm 500
 projection up to cm 750



Selfbearing bioclimatic pergola with louvre system. The structure allows the installation of ZIP Screens and glass walls.

MOVEMENT SYSTEM

Motorisation system consisting of 2 linear motors with 1 control unit for motors and wiring.

STANDARD

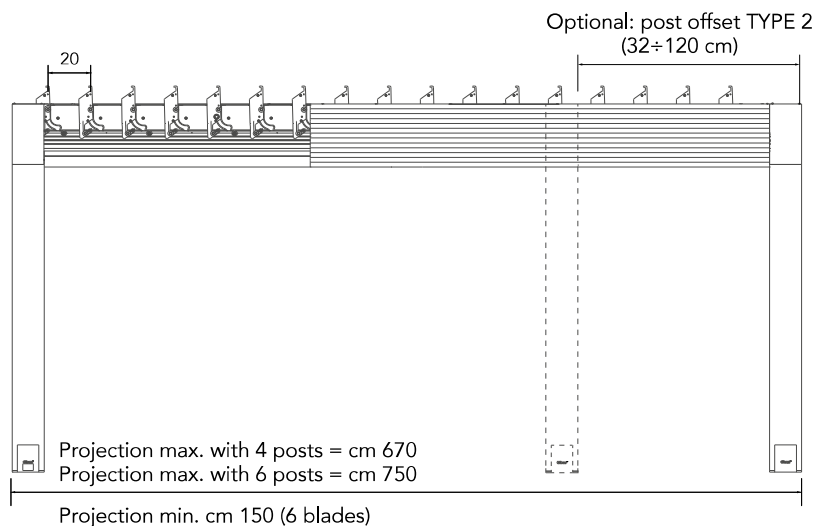
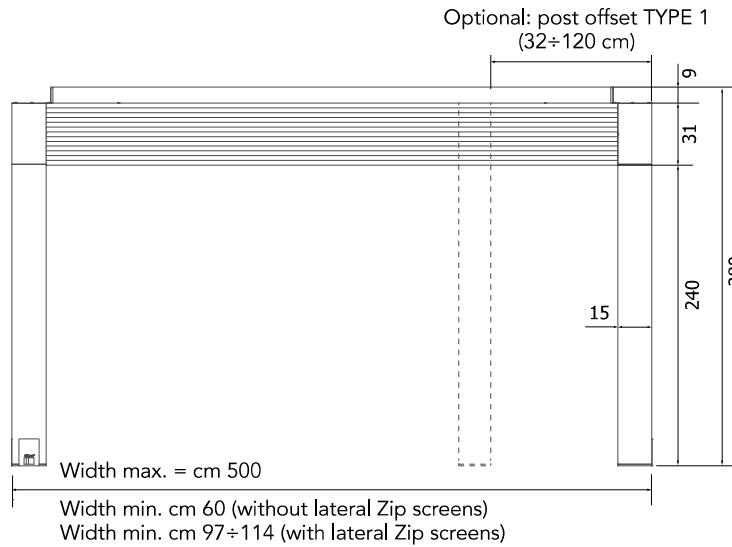
Posts 15x15 cm, height 240 cm with foot plate standard.

COMPLEMENTS

- Sensors and electric devices
- Illumination with ledBlades Insulation
- Snowmelt system
- Misting System
- Radio interface for domotic system
- Radio interface for smart devices
- Audio system
- Heaters
- Arm awnings for Pergola



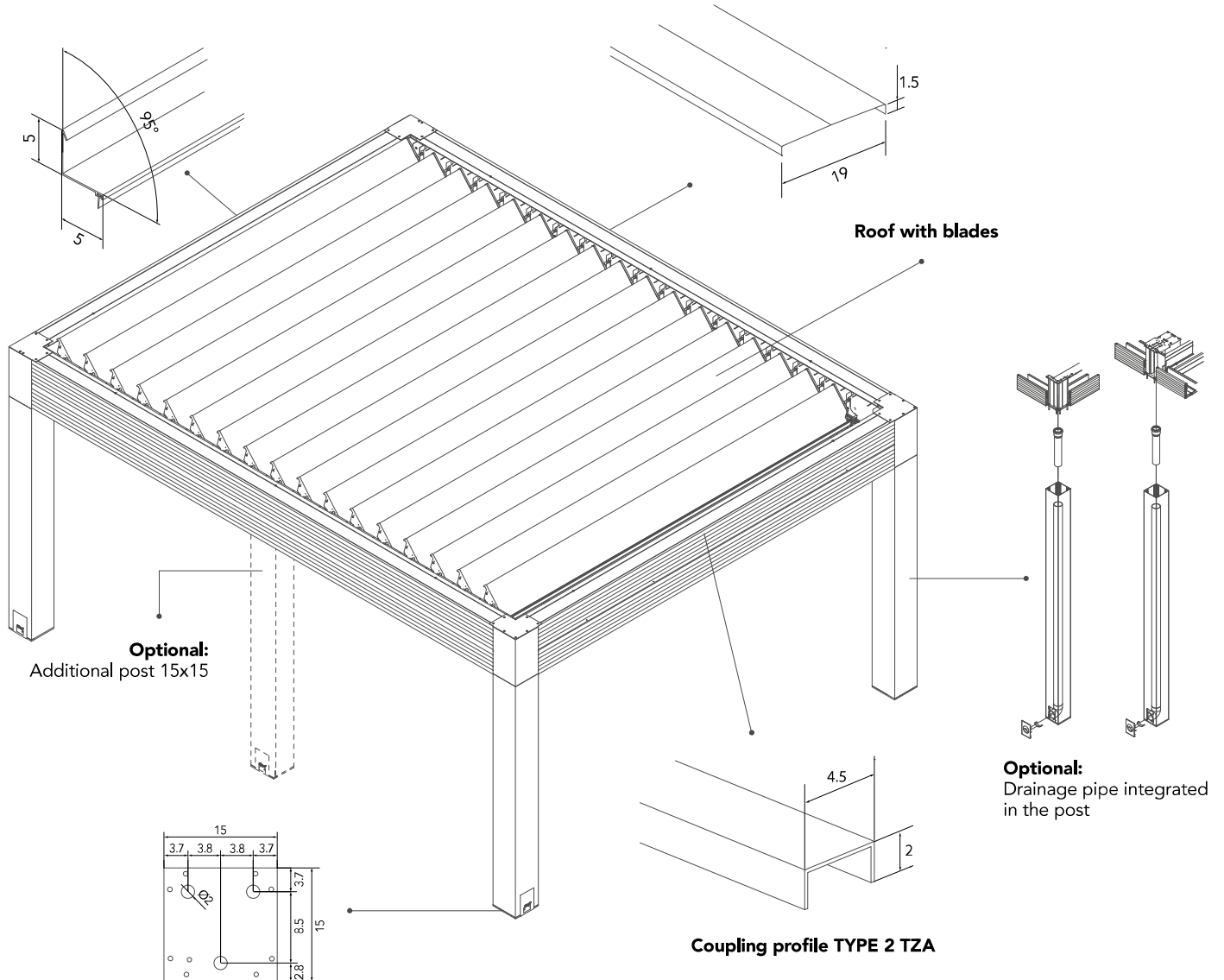
MEASUREMENT AND DIMENSIONAL LIMITS



STRUCTURE DETAILS

Optional: Wall flashing
 (necessary in case of wall leaning version)

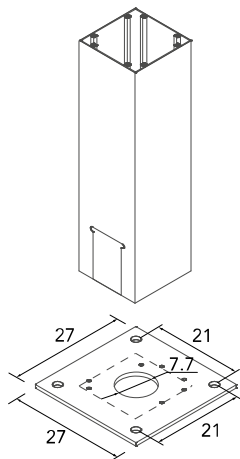
Coupling profile TYPE 1 T



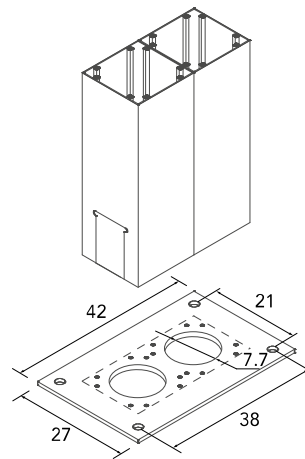
Optional:
 Additional post 15x15

Optional:
 Drainage pipe integrated
 in the post

**Standard foot plate
 for post 15x15**

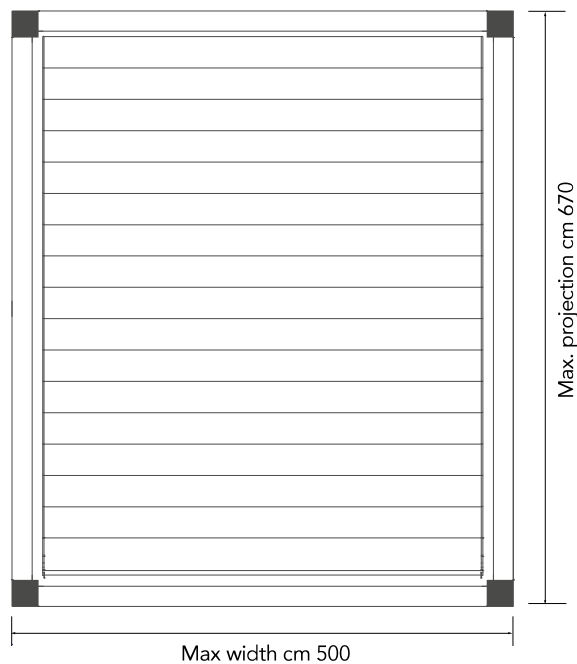
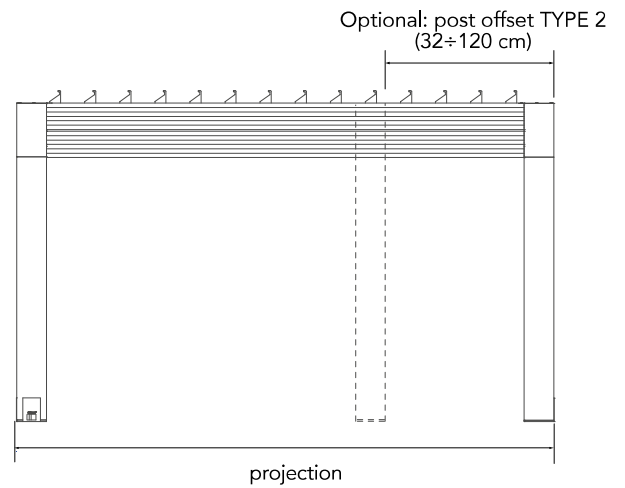
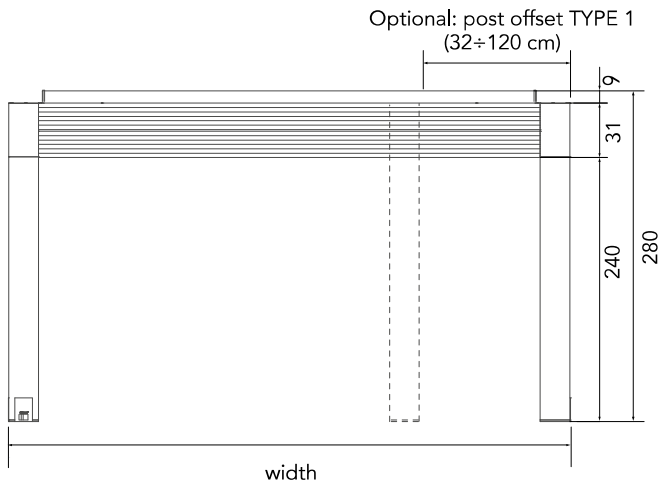
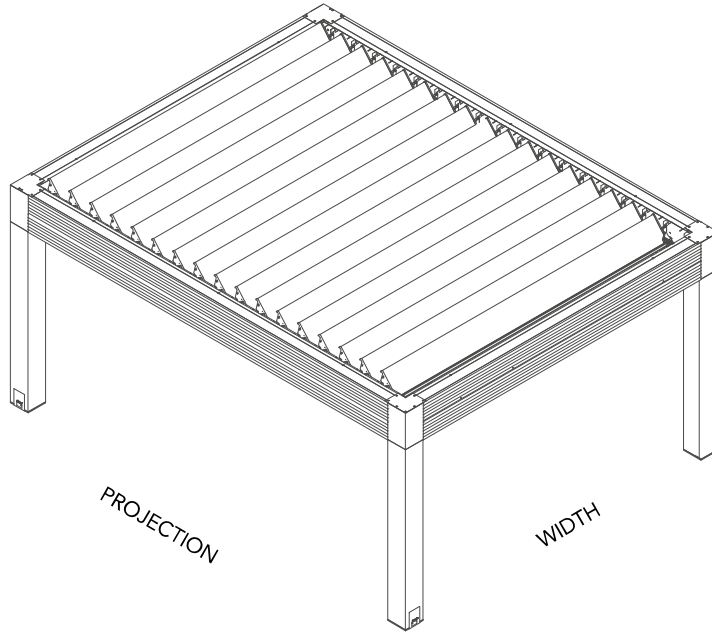


**Optional: Bigger foot plate
 for single post**



**Optional: Bigger foot plate
 for double post**

TWIST ISLAND 4 POSTS
 projection from cm 210 to cm 670



TWIST ISLAND 6 POSTS
 projection from cm 690 to cm 750

